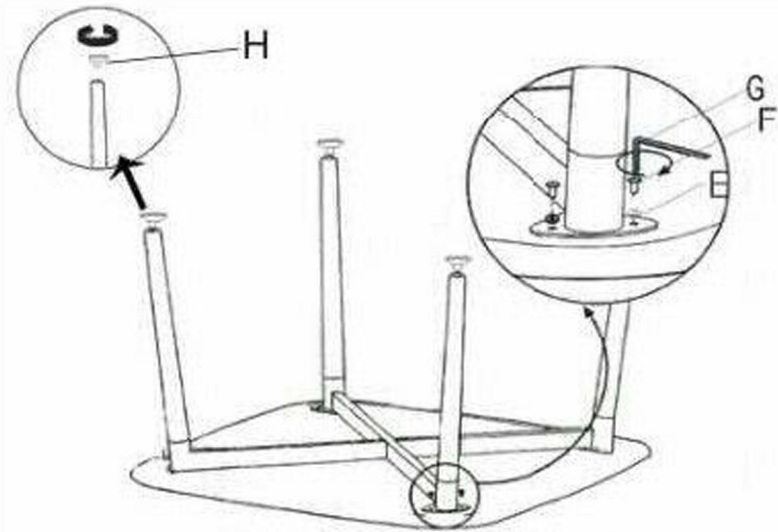
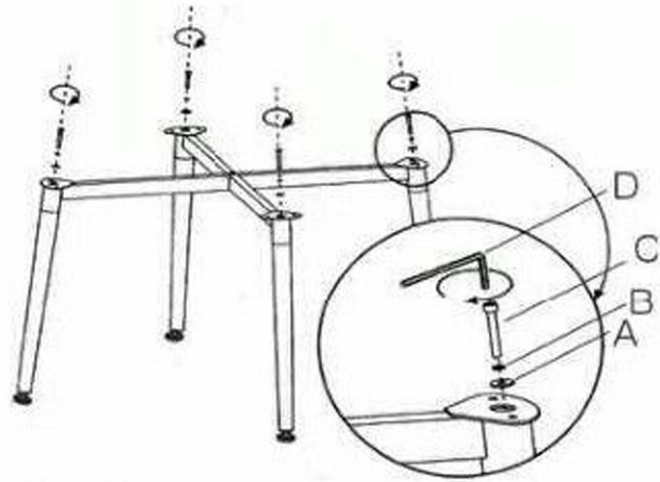


a.

adec group.

ASSEMBLY INSTRUCTIONS



Ax4



Bx4



Cx4



Dx1



Ex8



Fx8



Gx1



Hx4

