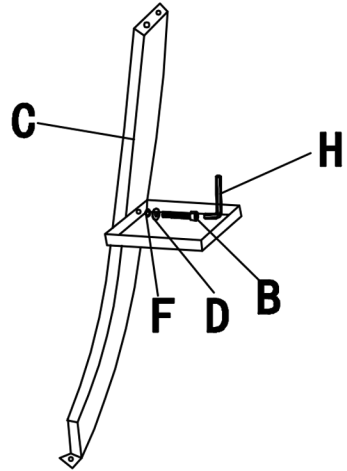


# a.

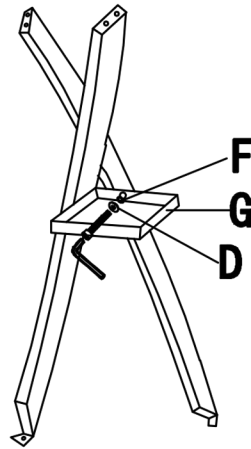
## adec group.

### Assembly Instruction

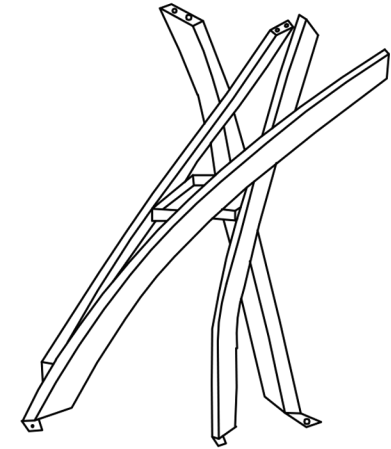
1



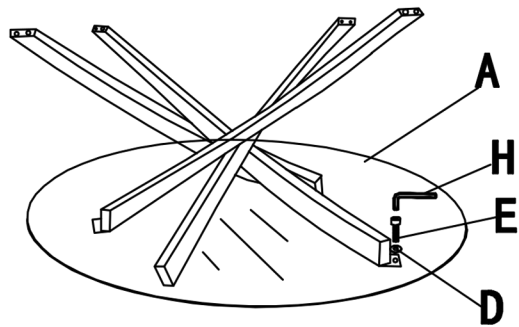
2



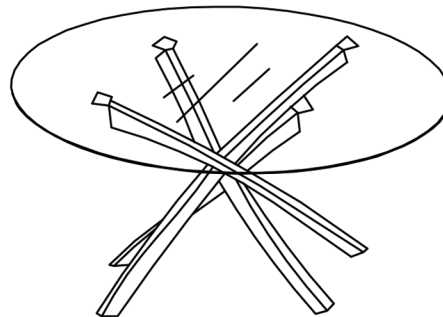
3



4



5



A



1

B



4

C



4

D



8

E



4

F



8

G



1

H



1