


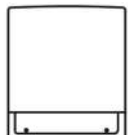





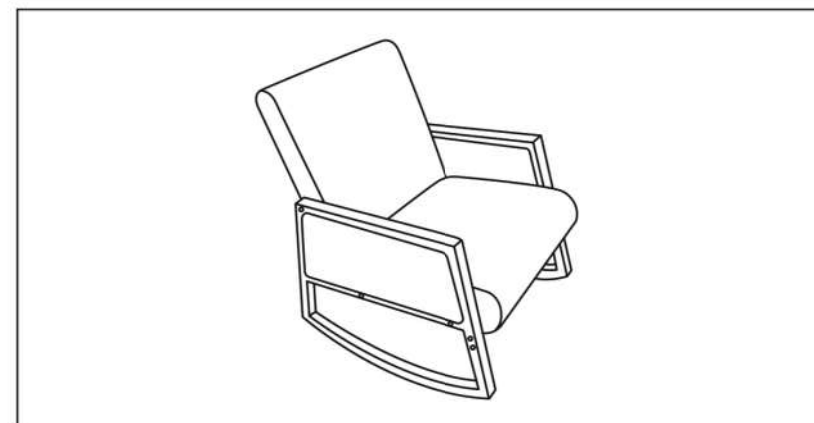
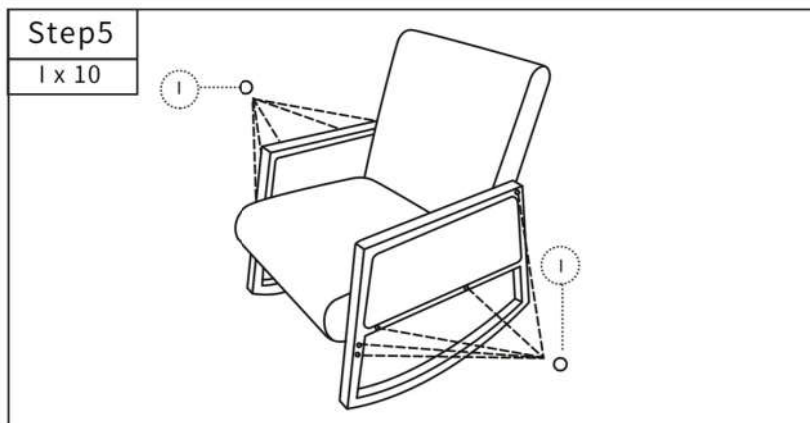
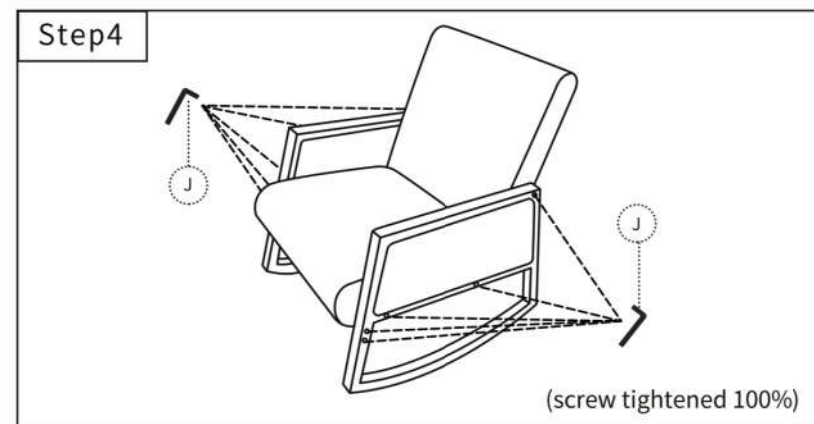
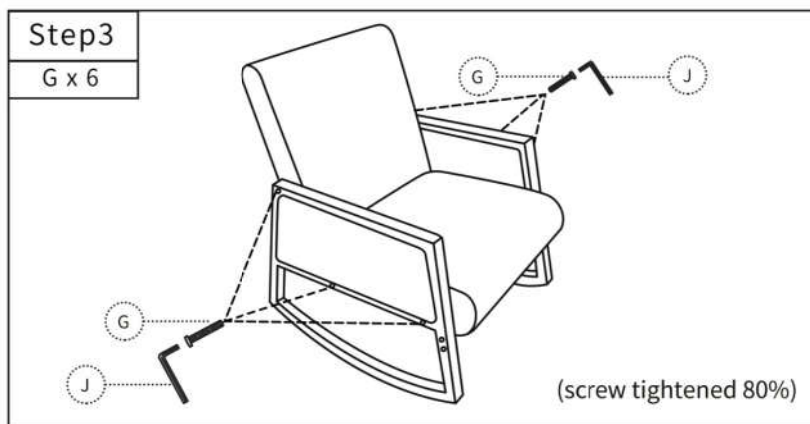
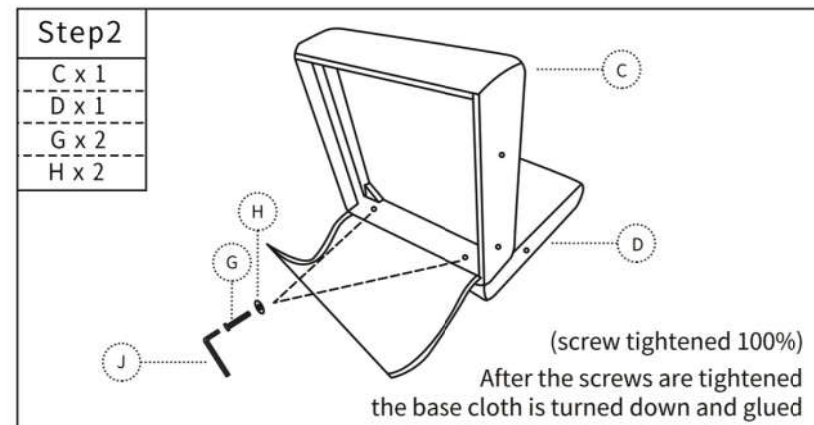
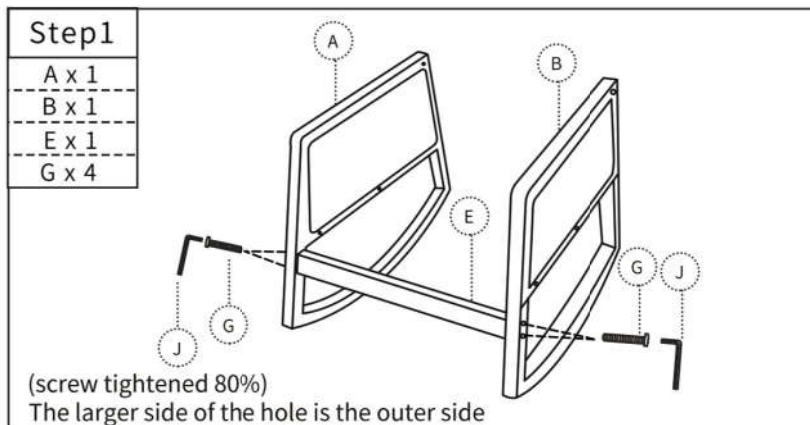


a.

adec group.

ASSEMBLY INSTRUCTIONS

| | | |
|---|---|-------|
| A |  | 1pc |
| B |  | 1pcs |
| C |  | 1pcs |
| D |  | 1pc |
| E |  | 1pc |
| G |  | 12pcs |
| H |  | 2pcs |
| I |  | 10pcs |
| J |  | pc1 |



WARNING: *DO NOT STAND ON THE CHAIRS *THESE CHAIRS ARE DESIGNED TO SEAT ONE PERSON ONLY PER CHAIR *DO NOT USE THE UNLESS ALL THE BOLTS AND SCREWS ARE FINMLY TIGHTENED
 *AT LEAST EVERY FOUR MONEHS,PLEASE CHECK ALL BOLTS AND SCREWS TO MAKE SURE THEY ARE SECUREY TIGHTENED
 *IF ANY PARTS ARE MISSING,BROKEN,DAMAGED OR WORN,STOP USING THIS PRODUCT IMMEDIATELY UNTILREPAIRS ARE MADE USING FACTORY AUTHORISED PARTS
 *FAILURE TO FOLLOW THESE WARNINGS COULD RESULT IN SERIOUS INJURY