





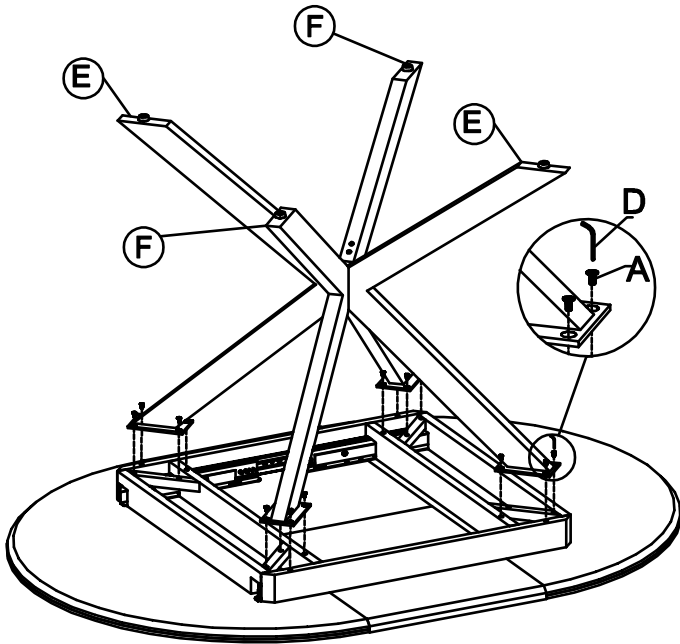


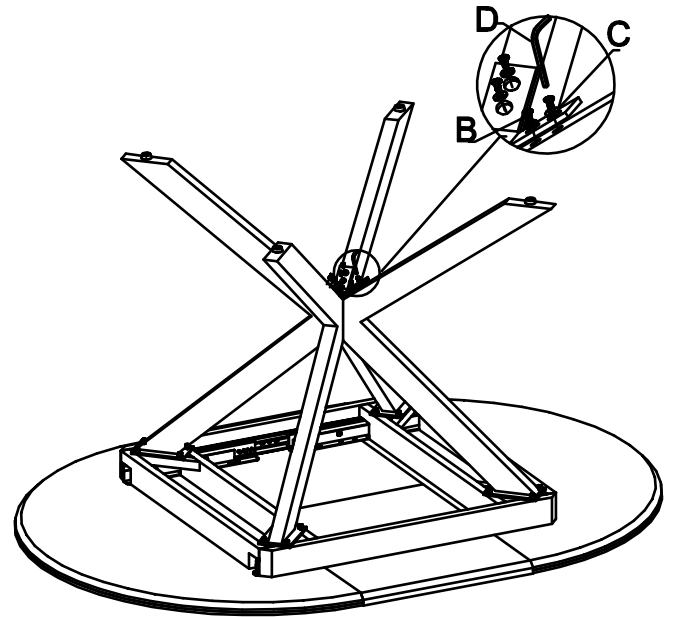
ASSEMBLY INSTRUCTIONS

<p>A /x16</p>  <p>M6x16</p>	<p>B /x8</p>  <p>M8x16</p>	<p>C /x8</p>  <p>8x16</p>	<p>D /x1</p> 	<p>E</p> 	<p>F</p> 
--	---	--	--	---	--

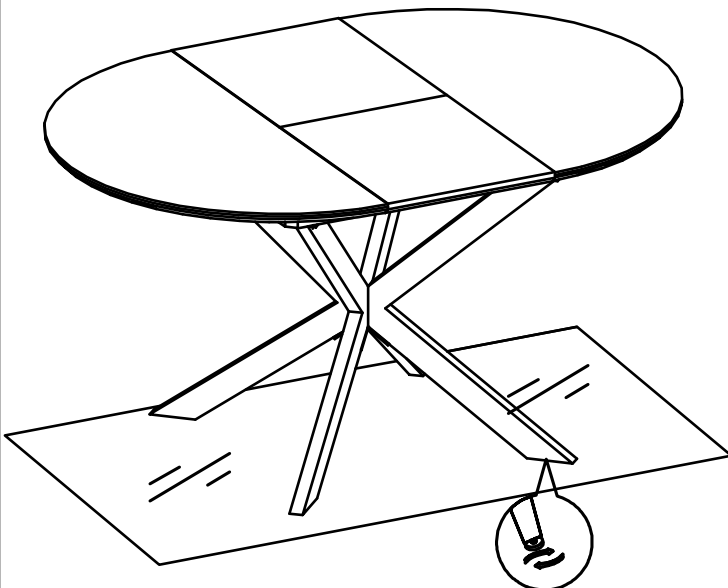
STEP 1.



STEP 2.



STEP 3.



STEP 4.

