

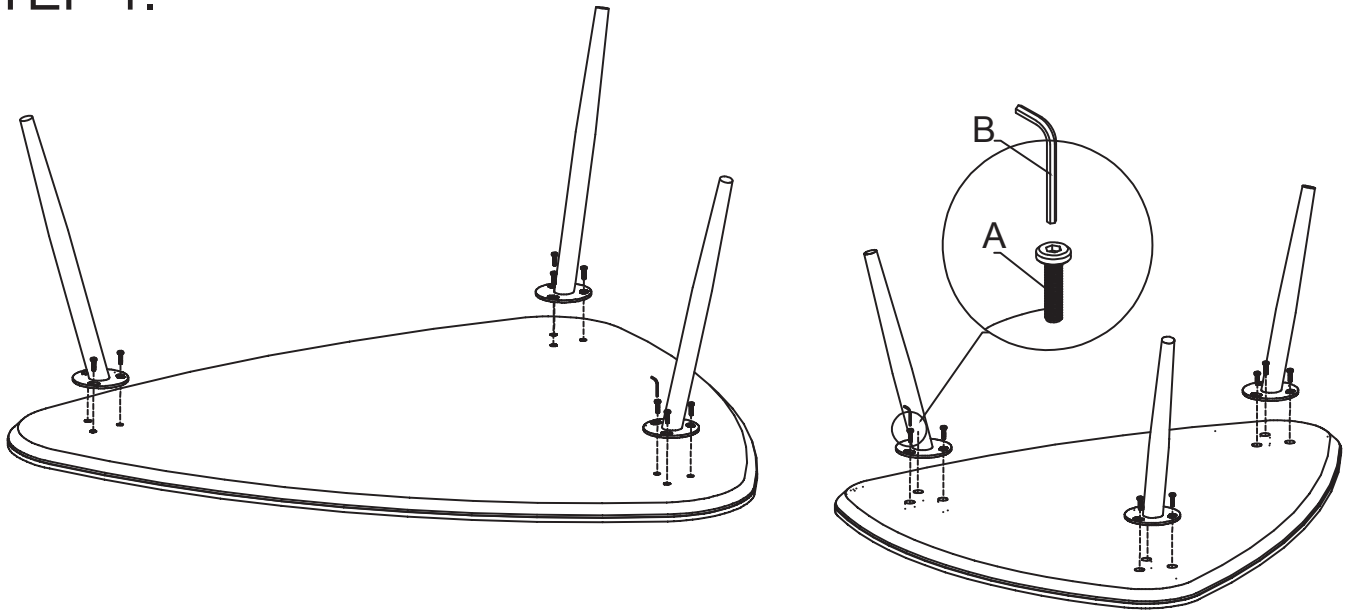


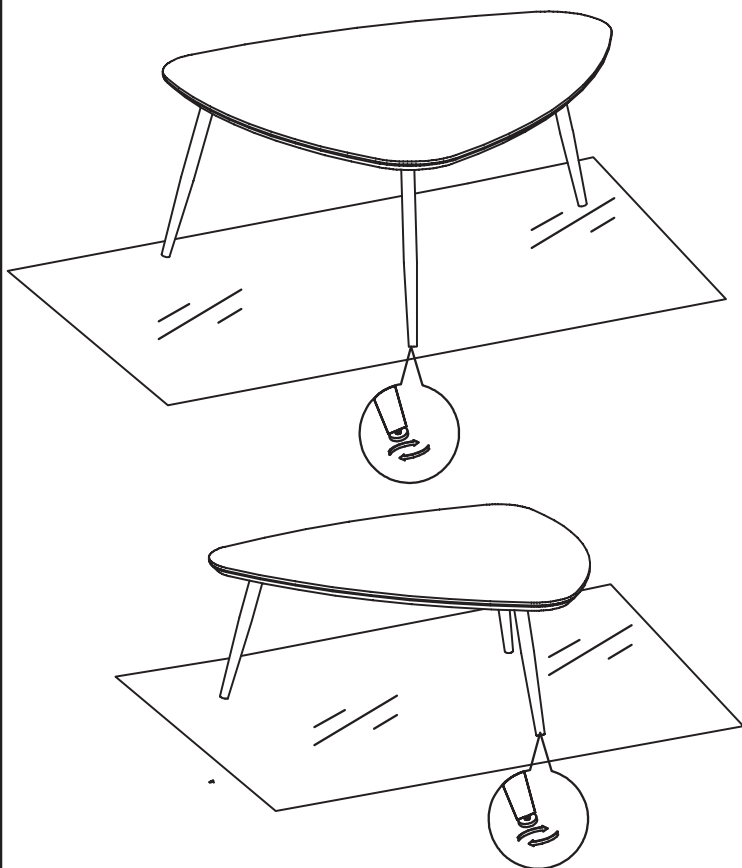
ASSEMBLY INSTRUCTIONS

A x18  M8x16	B x1 					
--	---	--	--	--	--	--

STEP 1.



STEP 2.



STEP 3.

