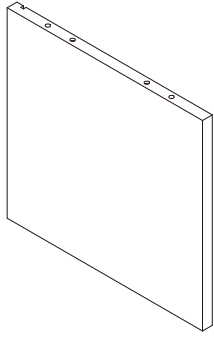
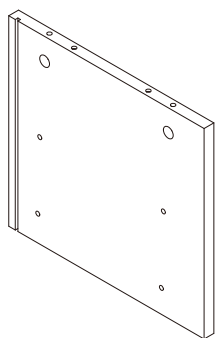


1



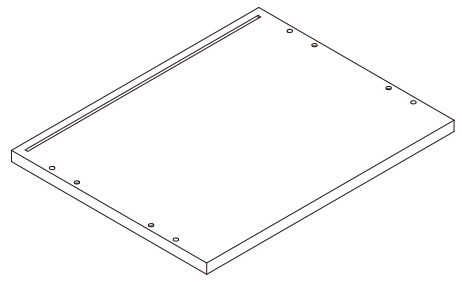
x1

2



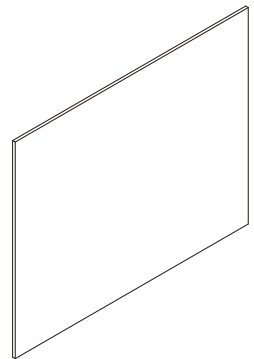
x1

3



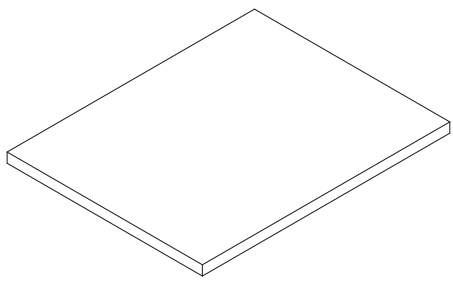
x1

4



x1

5



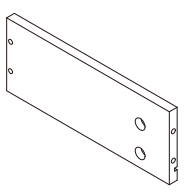
x1

6



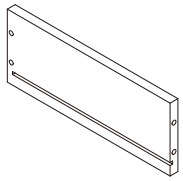
x4

7



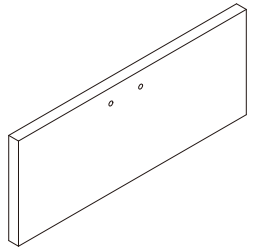
x2

8



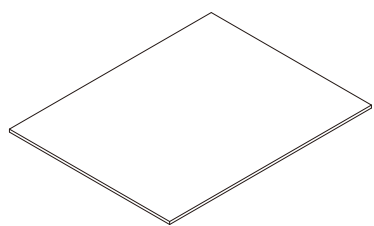
x2

9



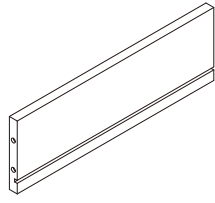
x1

10



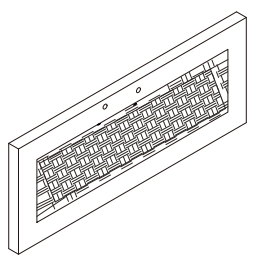
x2

11



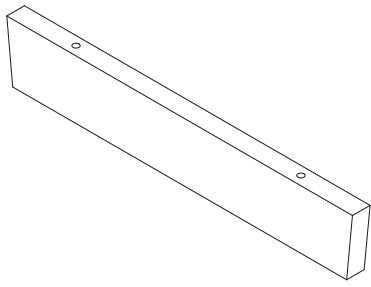
x2

12



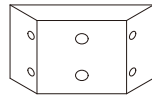
x1

13



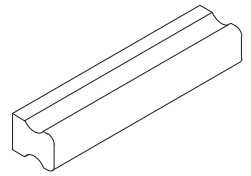
x4

14



x4

15



x2

A



x12

B



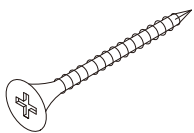
x12

C



x16

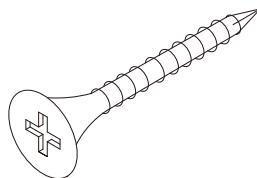
D



4x35mm

x8

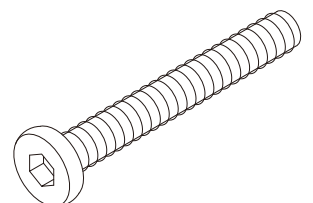
E



4x25mm

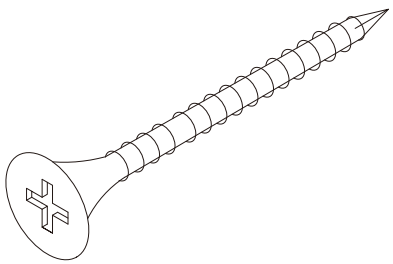
x16

F



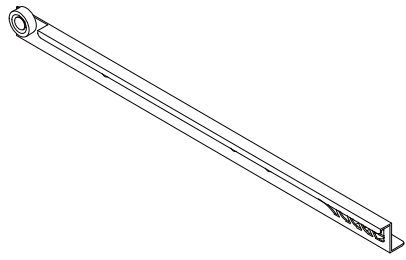
x8

G



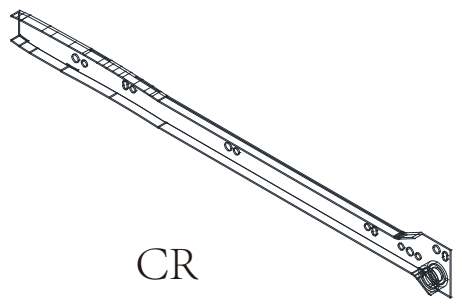
4x55mm

x8



DL

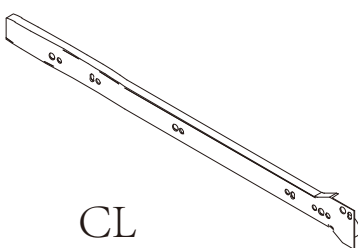
x2



CR

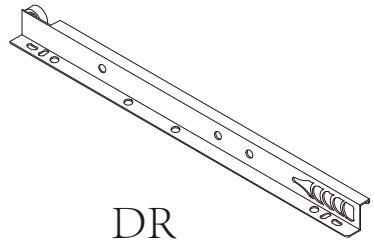
x2

H



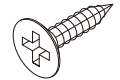
CL

x2



DR

x2



3x12mm

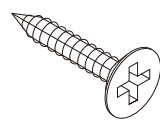
x16

I



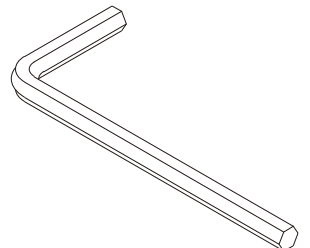
x8

J



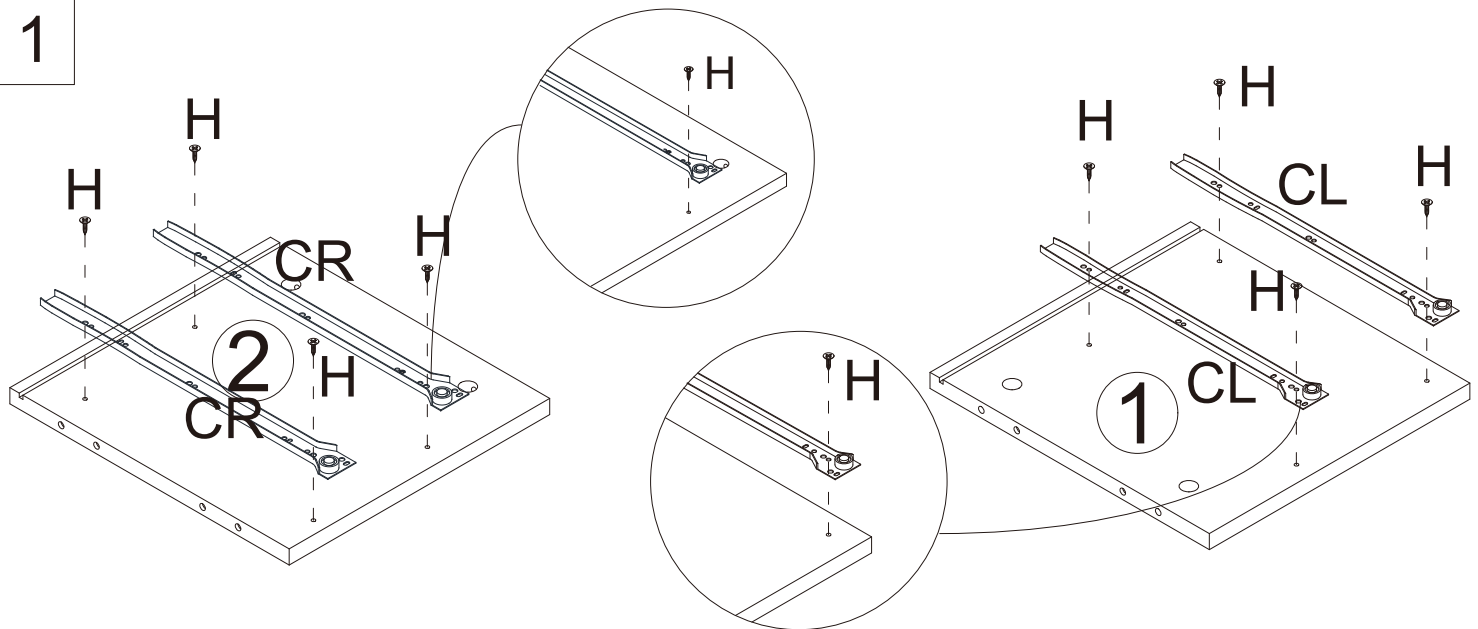
x8

K

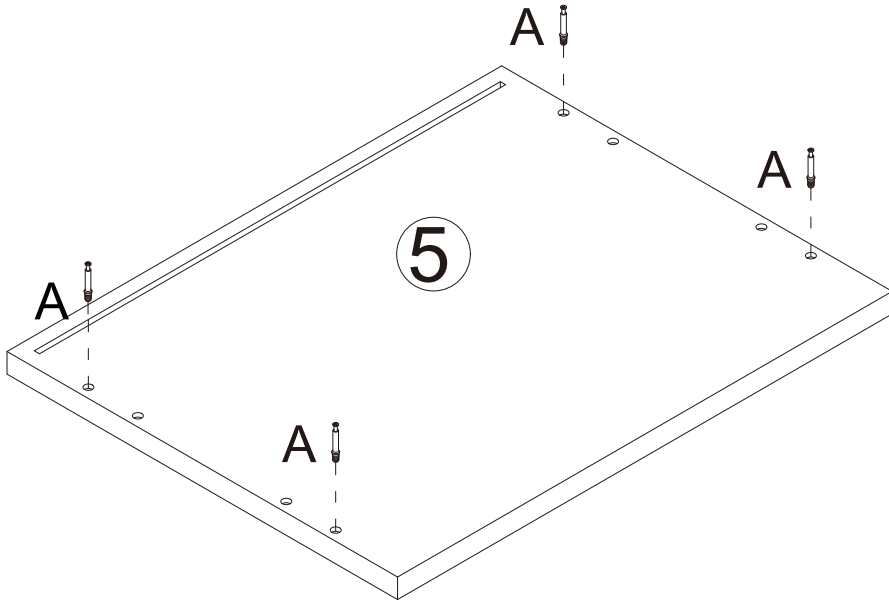


x1

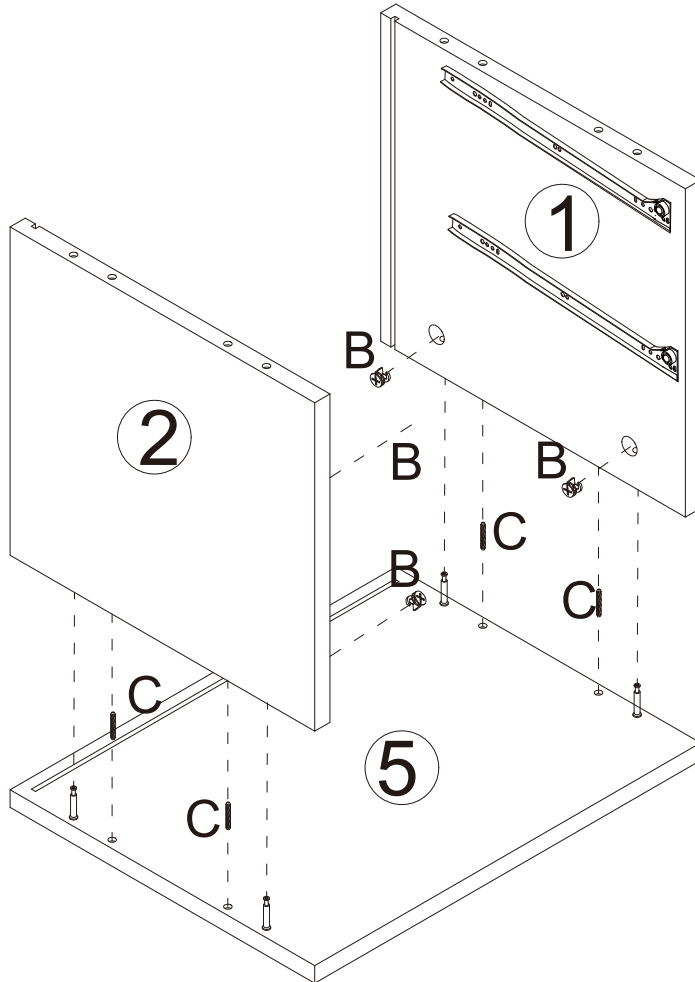
1



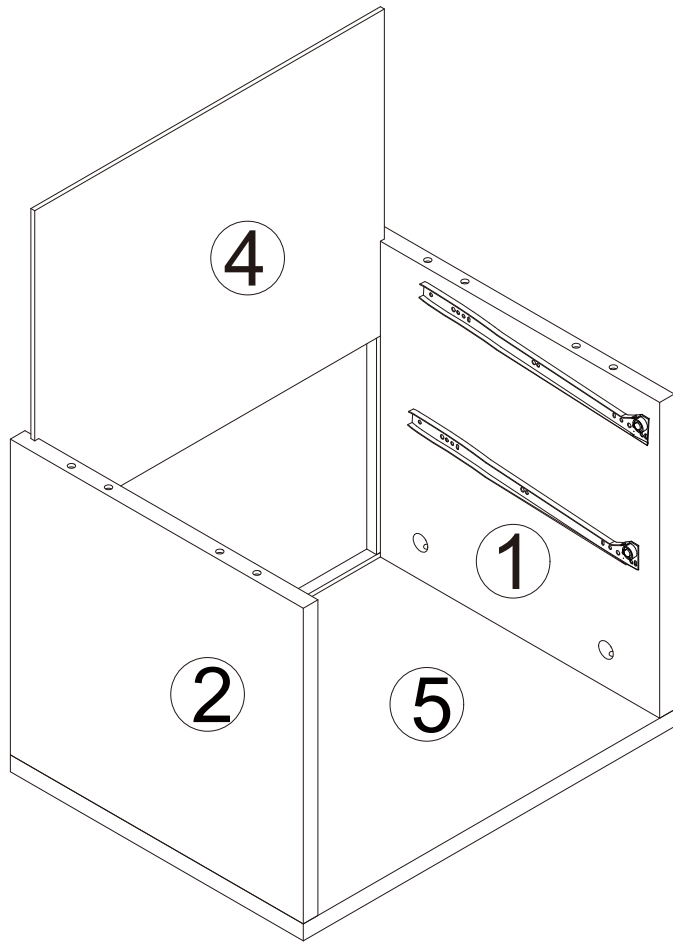
2



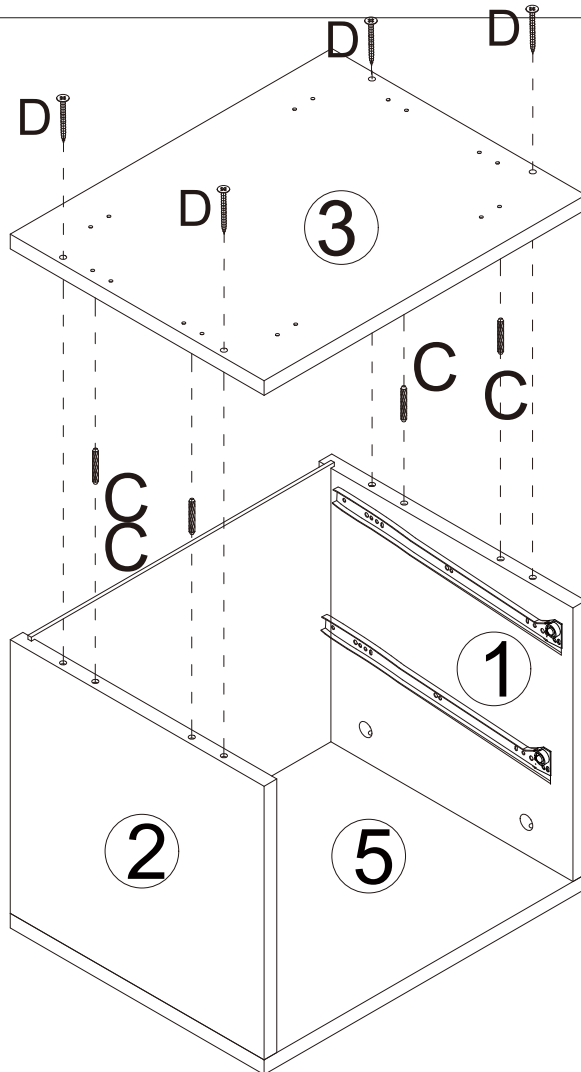
3



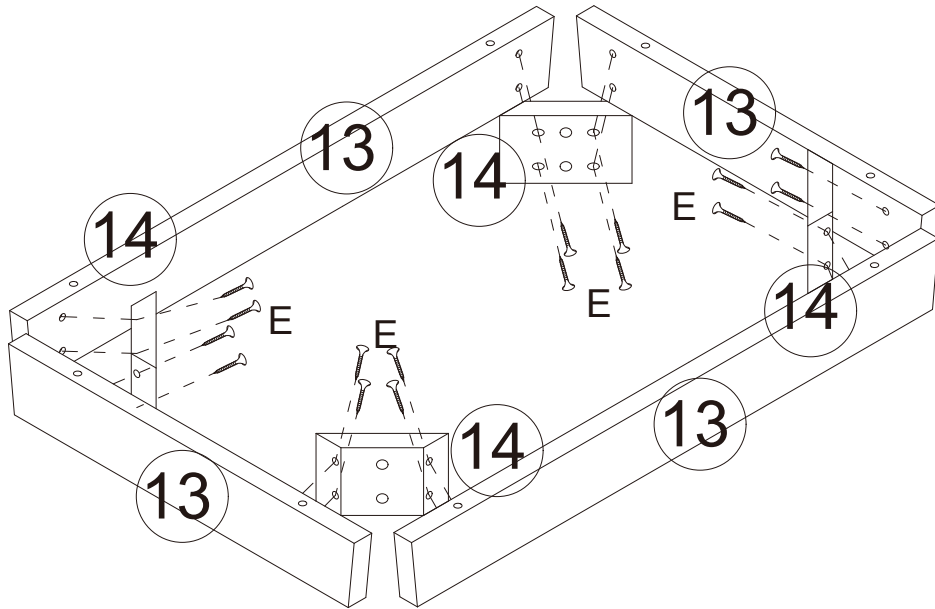
4



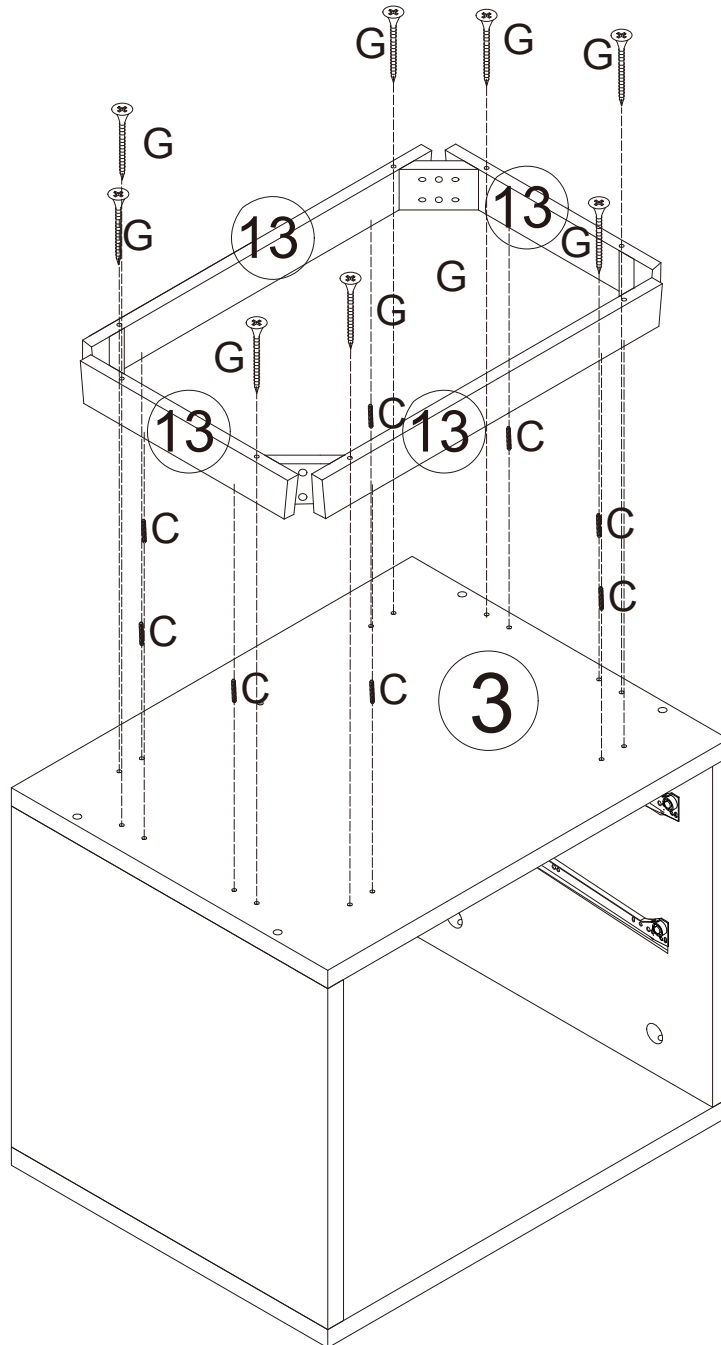
5

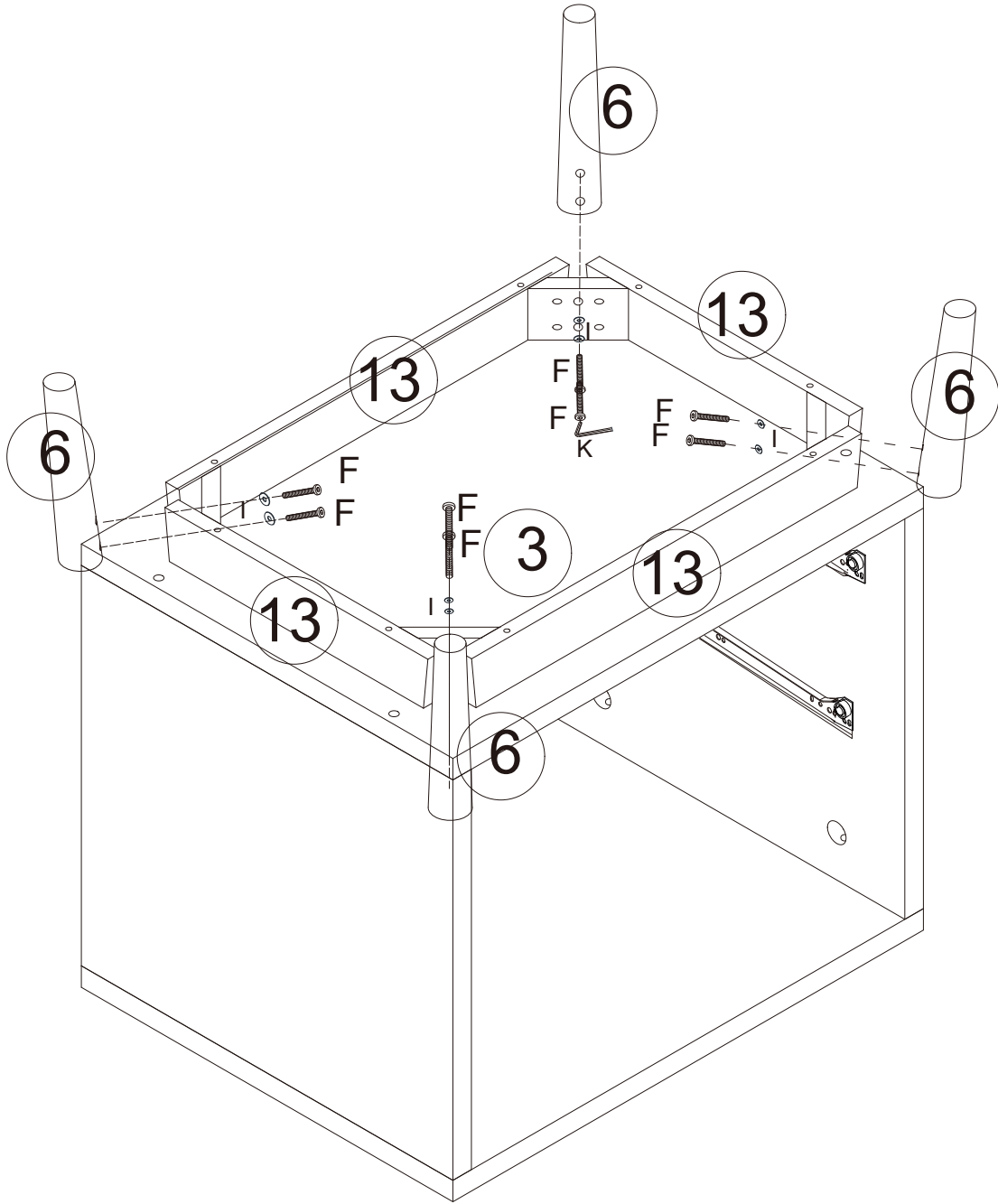


6



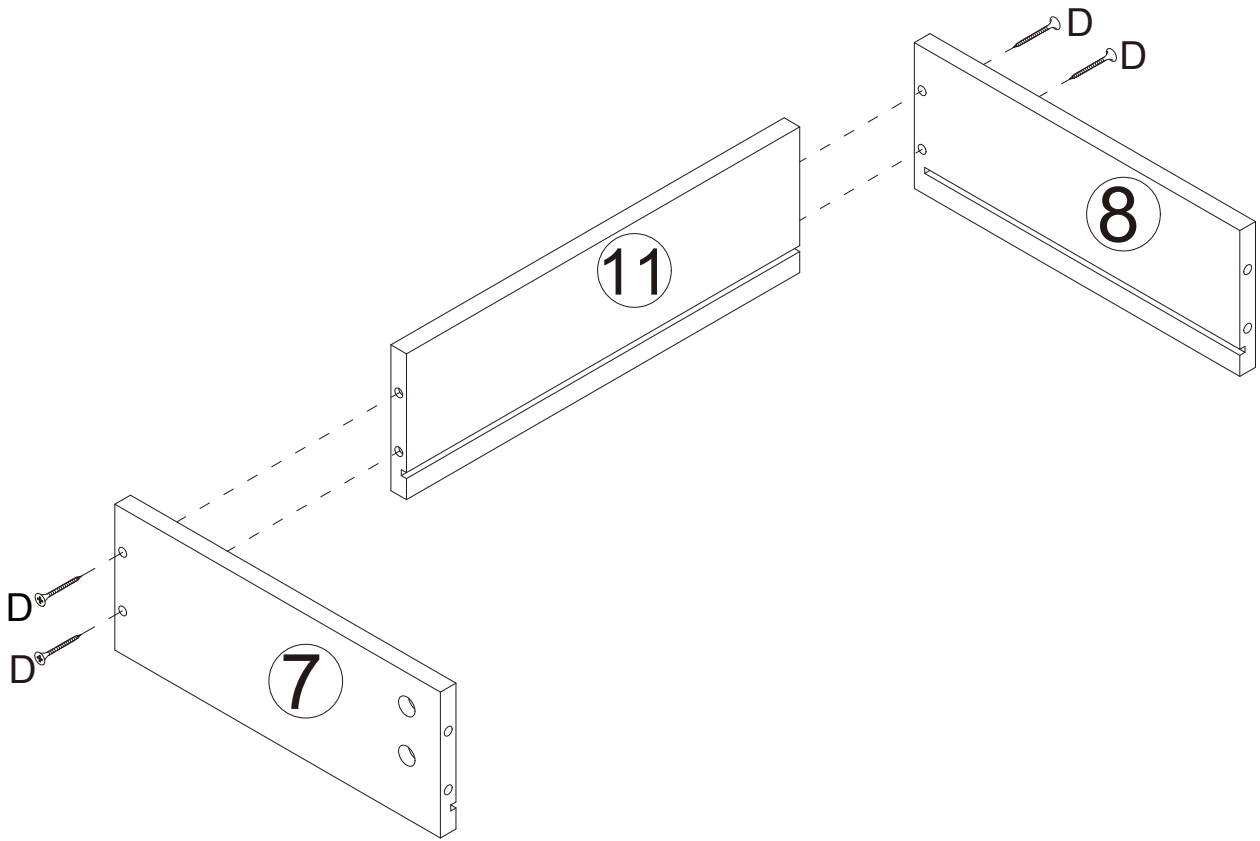
7





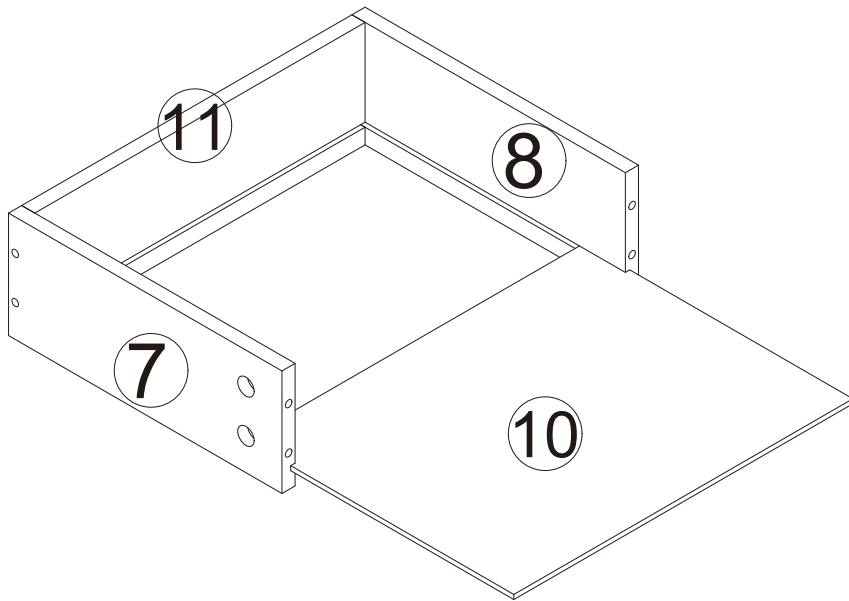


9



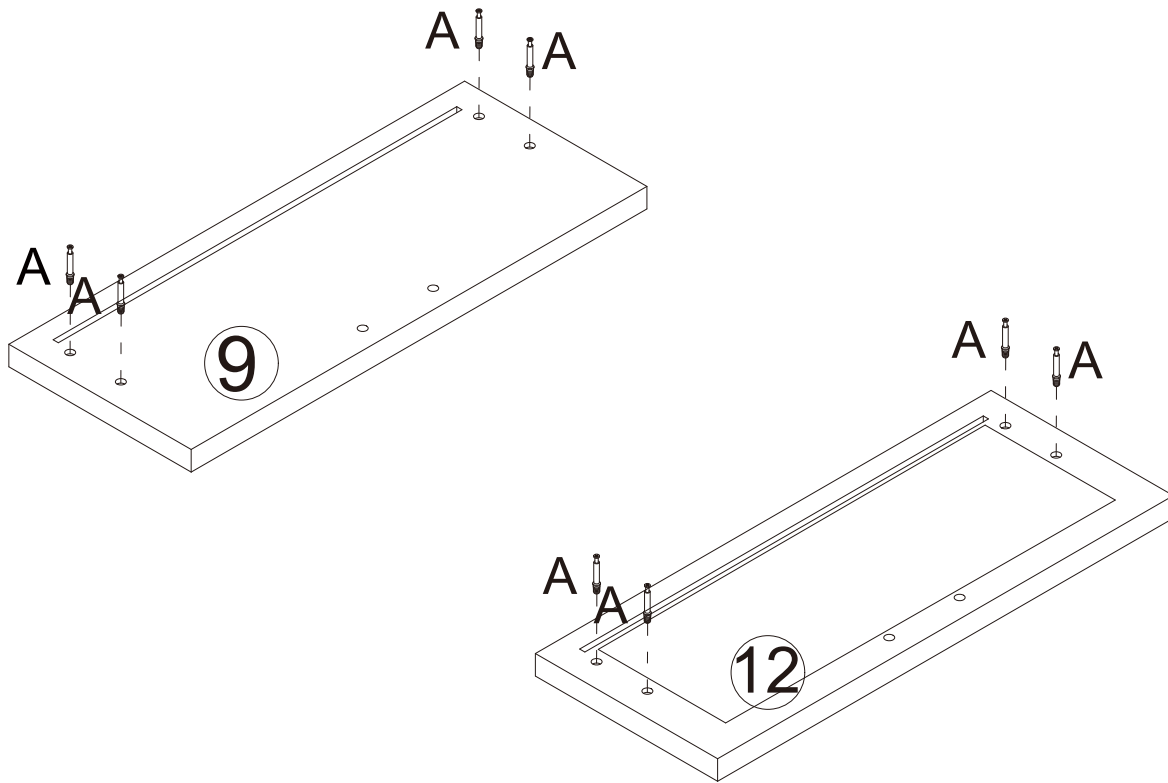
x2

10

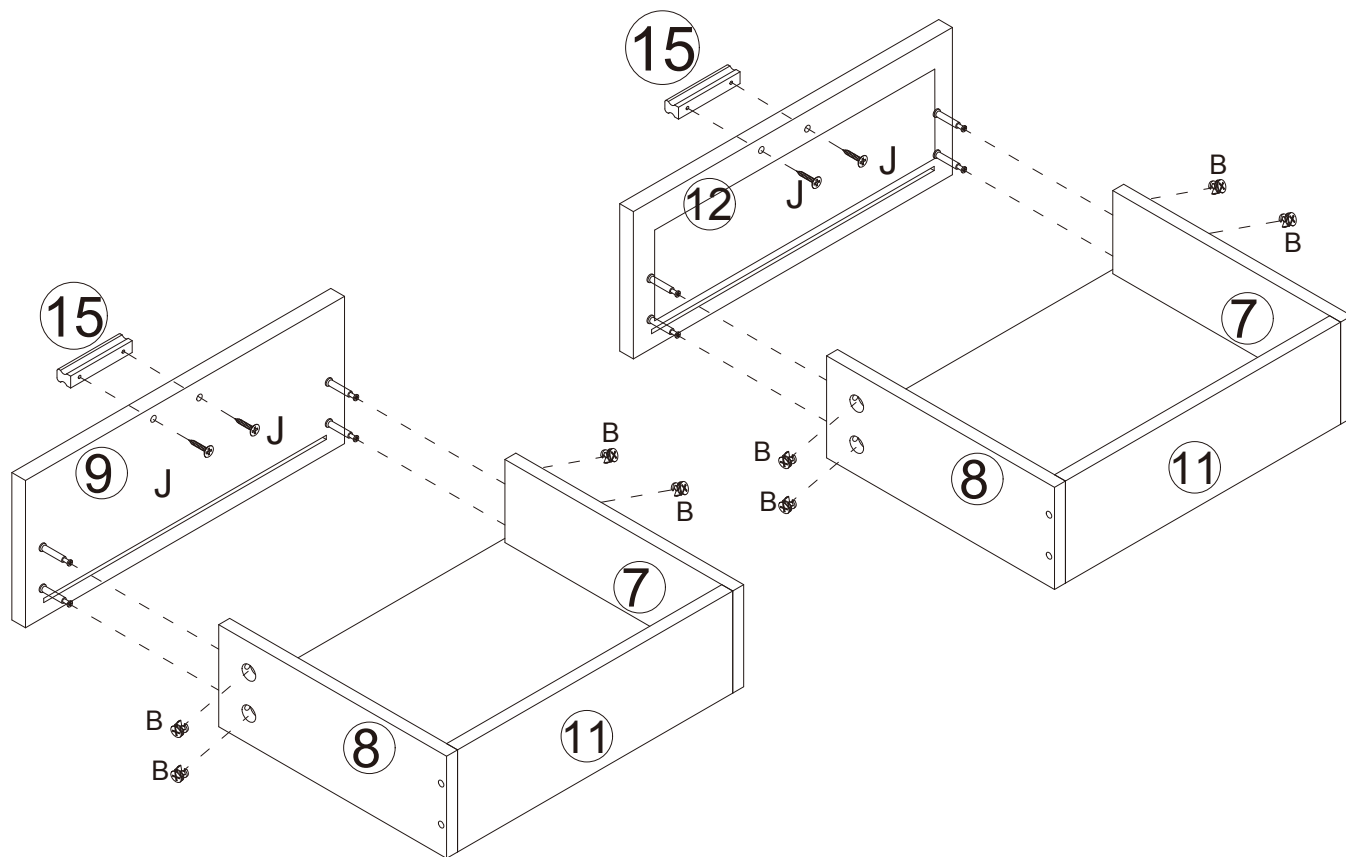


x2

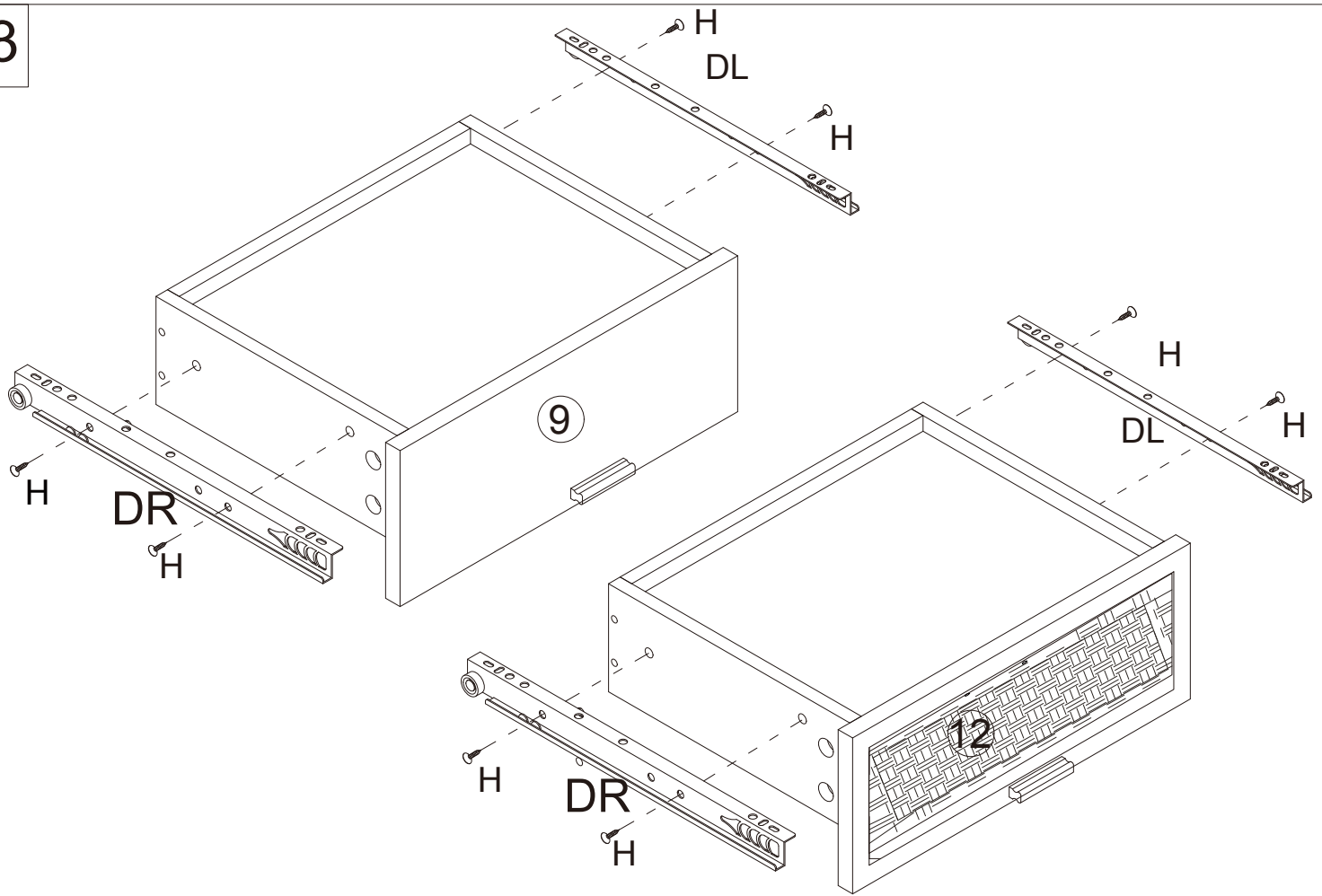
11



12



13



14

