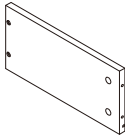
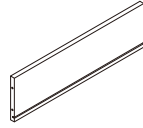


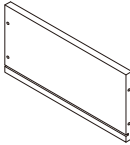
1  
x 2



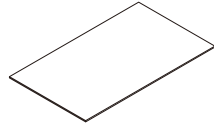
2  
x 2



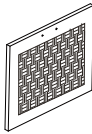
3  
x 2



4  
x 2



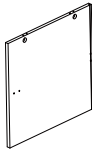
5  
x 2



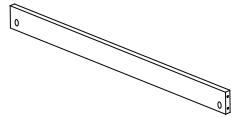
6  
x 1



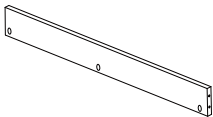
7  
x 1



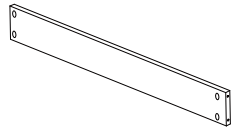
8  
x 1



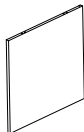
9  
x 1



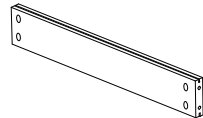
10  
x 1



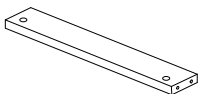
11  
x 1



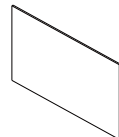
12  
x 1



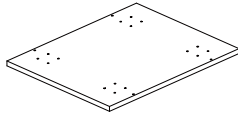
13  
x 1



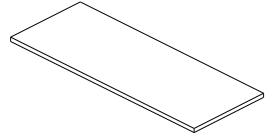
14  
x 2



15  
× 1



16  
× 1



17  
× 4



18  
× 4



19  
× 2



A



× 29

B



× 29

C



× 16

D



× 12  
4x35mm

E



× 12  
4x25mm

F



× 16  
4x12mm

G



× 16  
3x12mm

H



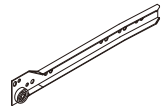
× 2  
3x12mm

I



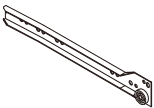
× 2

CL



× 2

CR



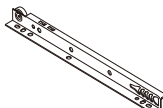
× 2

DL



× 2

DR



× 2

J

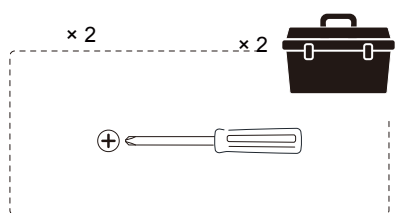


× 2

K

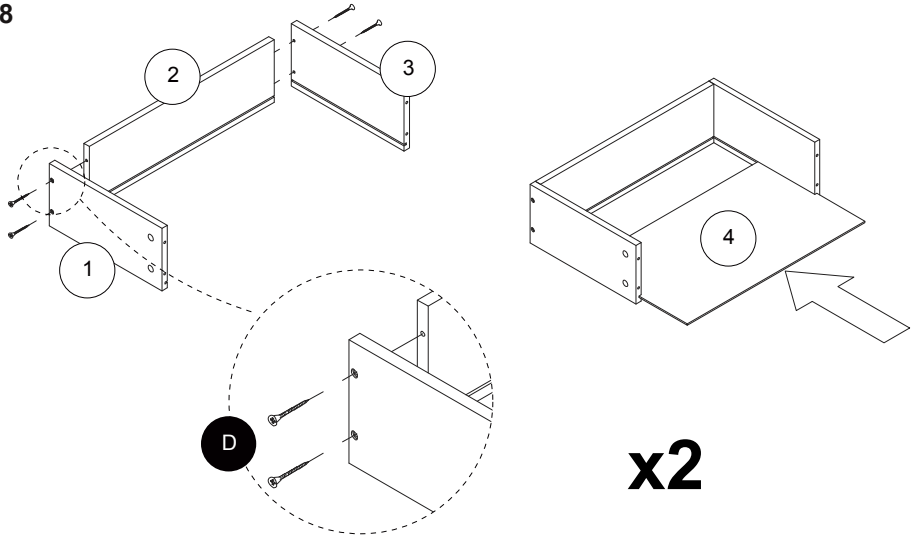


× 2



# 1

D x8

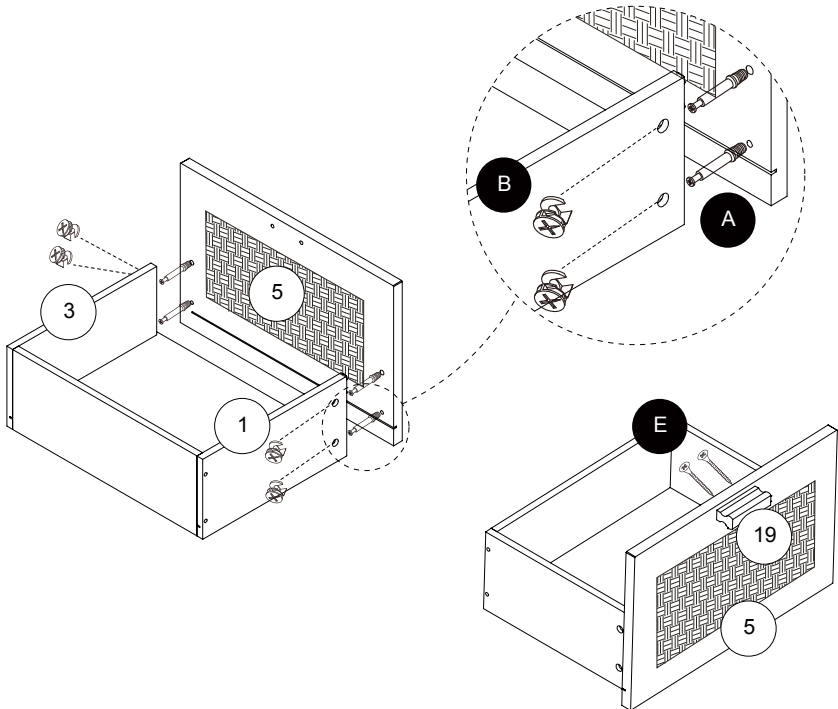


# 2

A x8

B x8

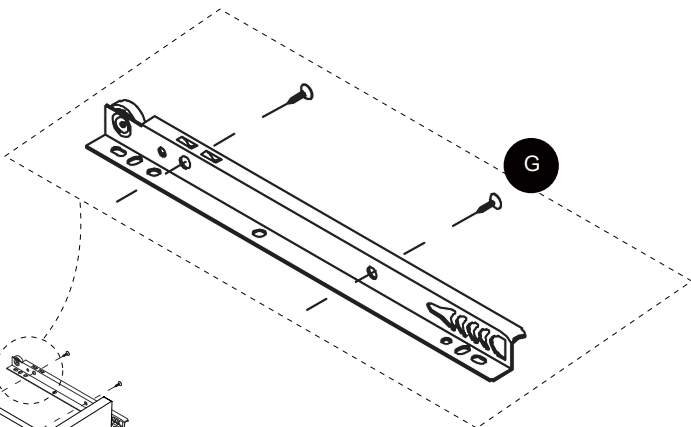
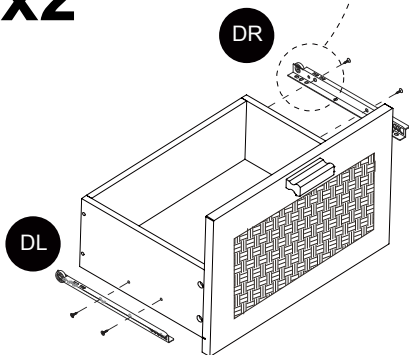
E x4



# 3

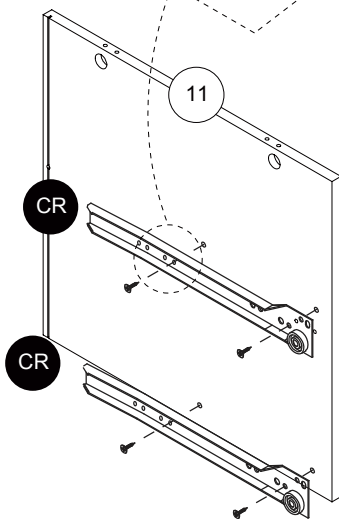
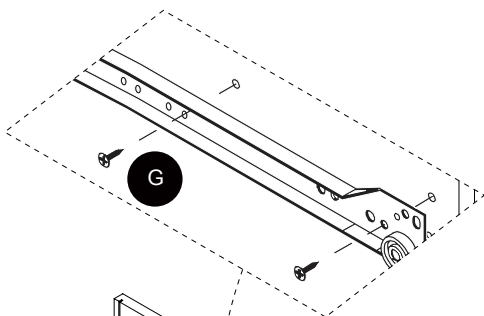
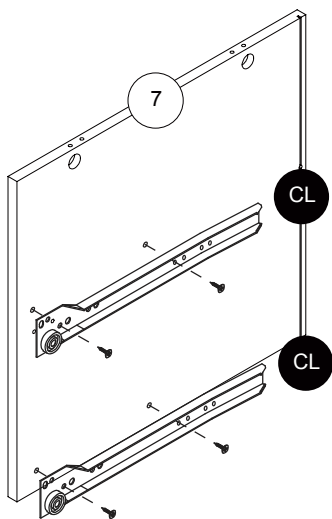
G x8  
DL x2  
DR x2

# x2



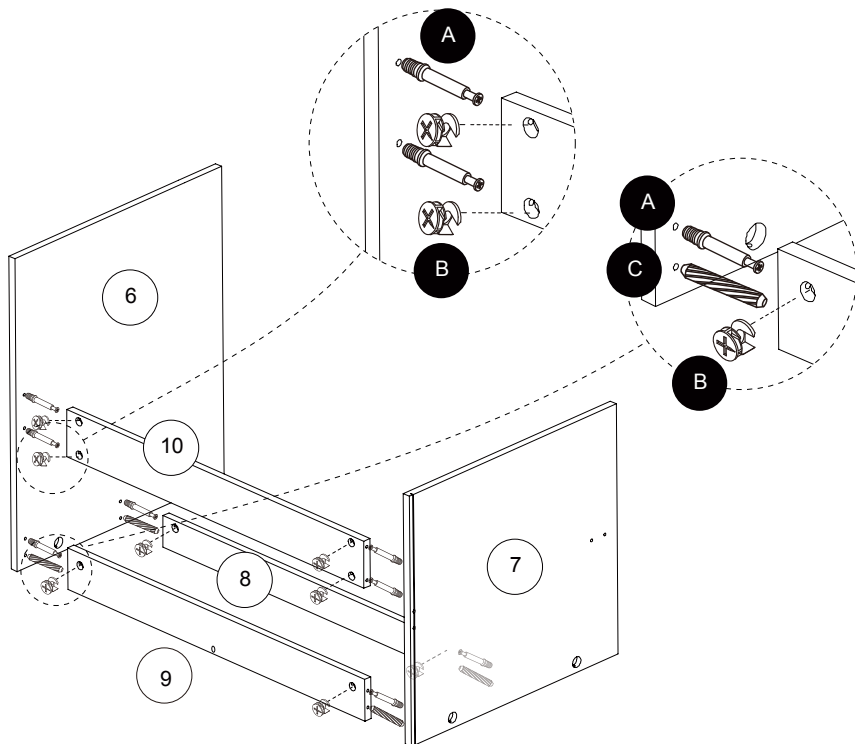
# 4

G x8  
CL x2  
CR x2



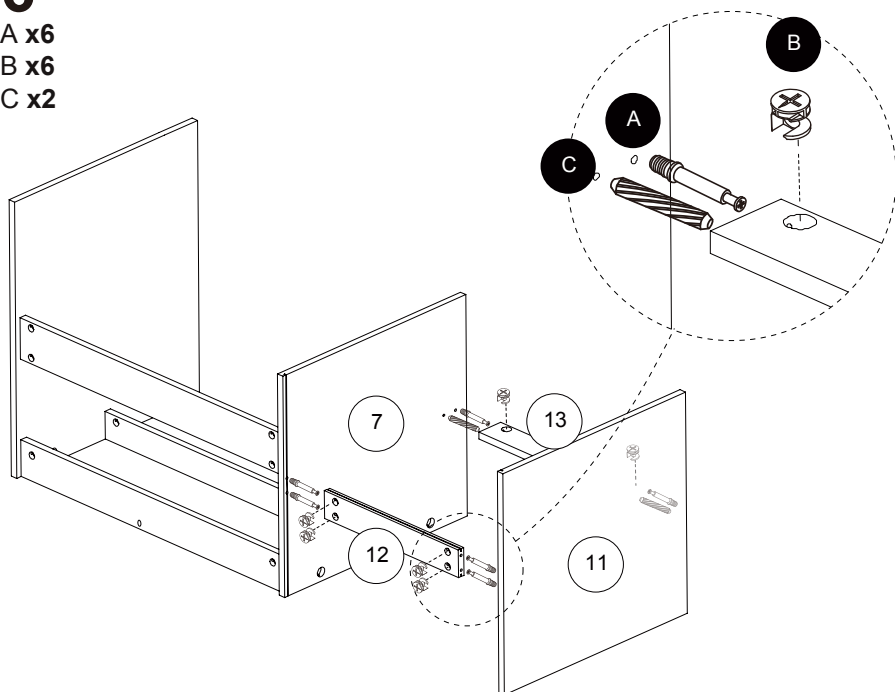
# 5

A x8  
B x8  
C x4

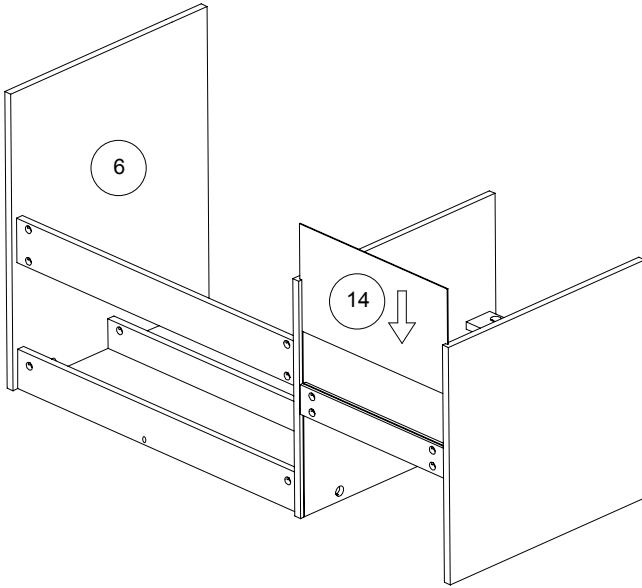


# 6

A x6  
B x6  
C x2

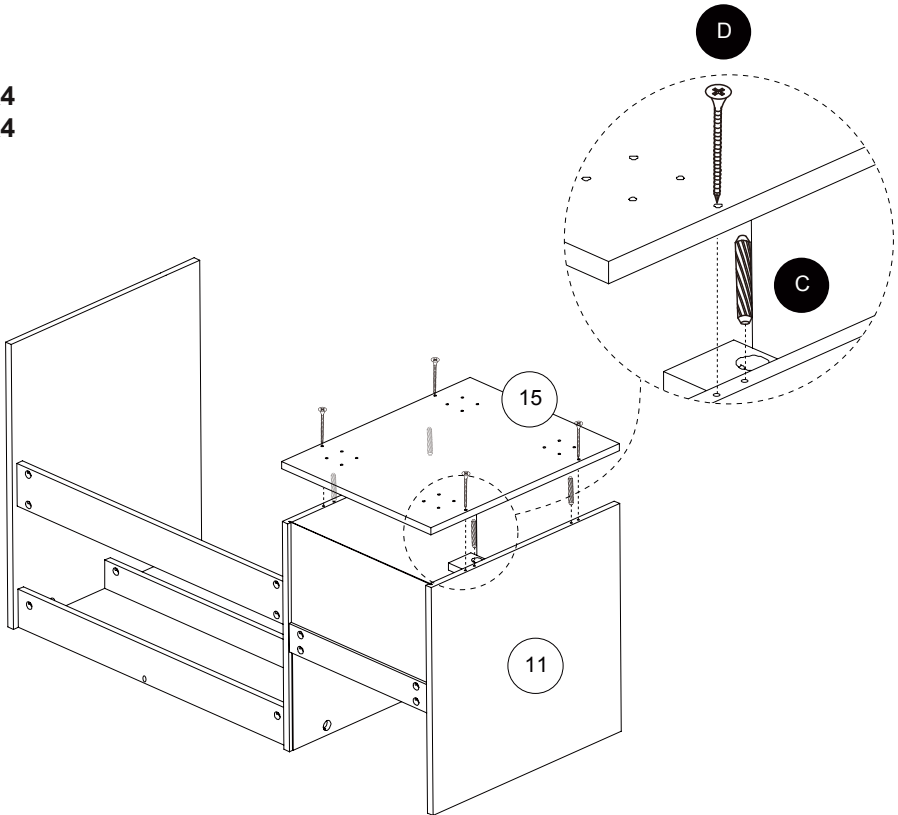


7



8

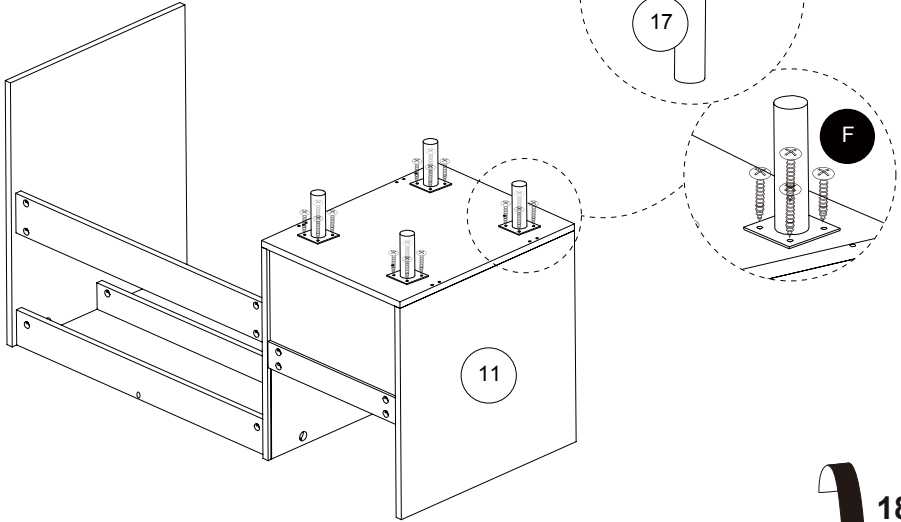
C x4  
D x4



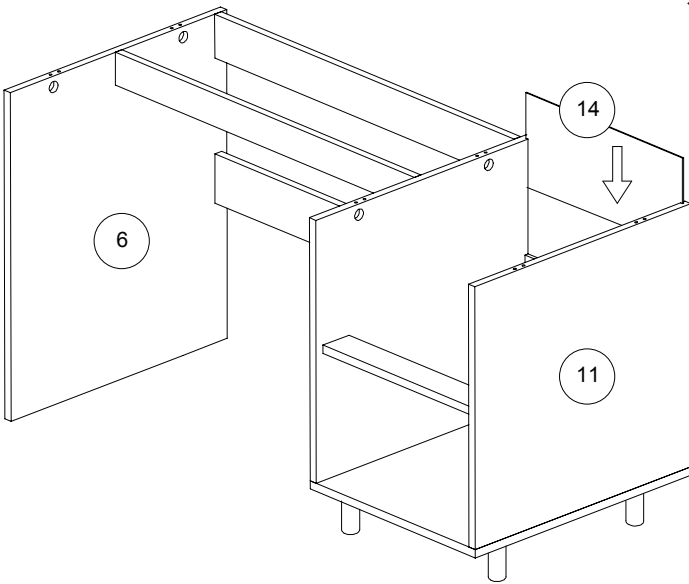
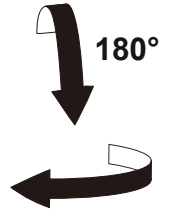
**9**

E x8  
F x16

**x4**



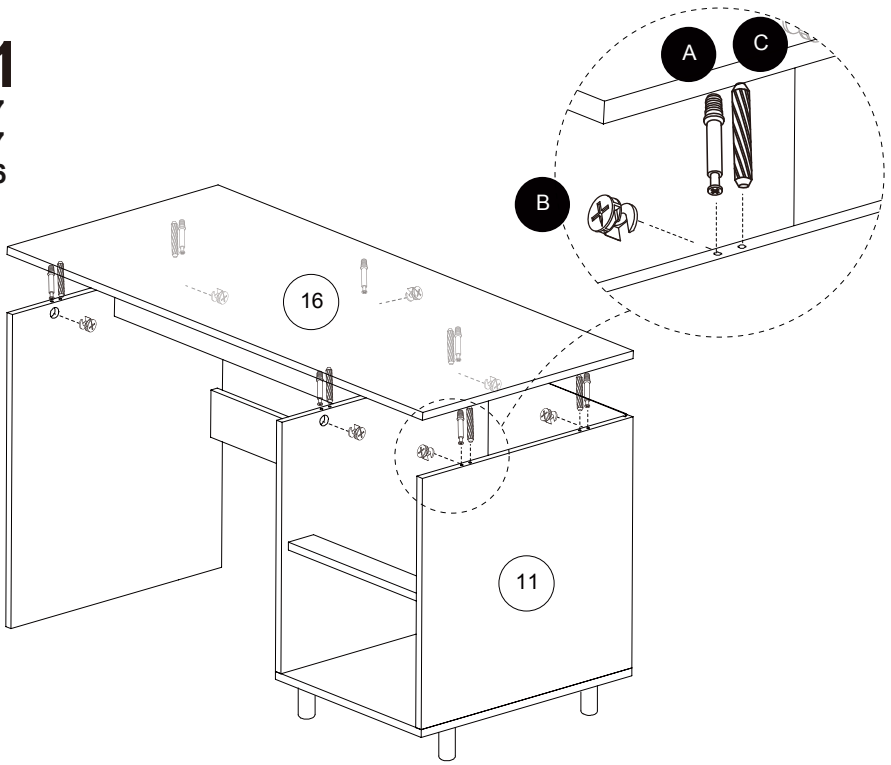
**10**





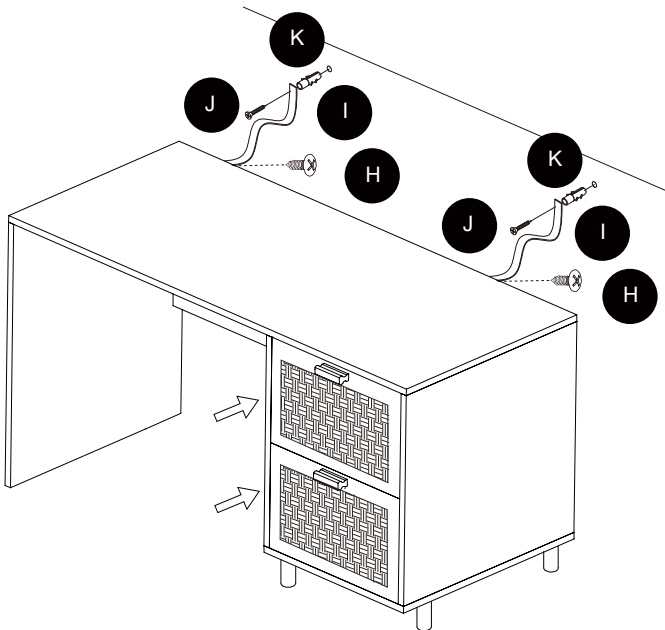
# 11

A x7  
B x7  
C x6



# 12

H x2  
I x2



13

