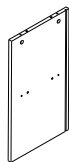


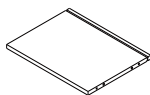
1
x 1



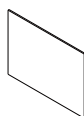
2
x 1



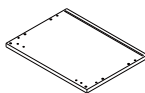
3
x 1



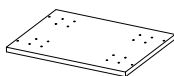
4
x 2



5
x 1



6
x 1



7
x 1



8
x 1



9
x 4



10
x 4



A



× 8

B



× 8

C



× 12

D



4 x 40mm

× 4

E



4 x 25mm

× 10

F



4 x 12mm

× 16

G



2,5 x 12mm

× 2

H



× 2

I



3 x 14mm

× 4

J



× 1

K



× 1

L



4 x 12mm

× 1

M



× 1

N



3 x 16mm

× 8

O



× 8

P



× 1

Q



4 x 30mm

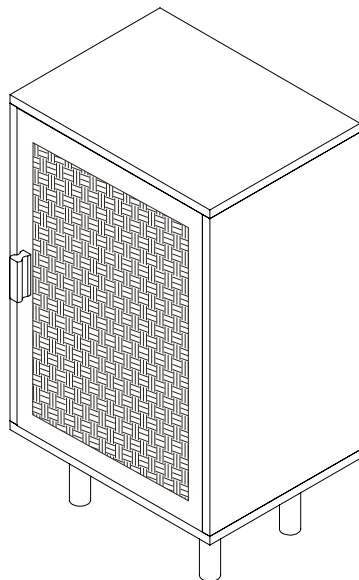
× 1

R

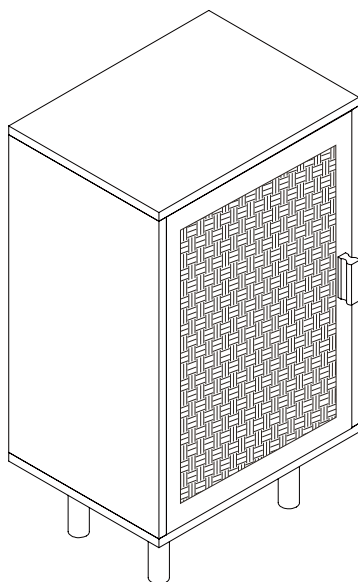


× 1

OPTION 1



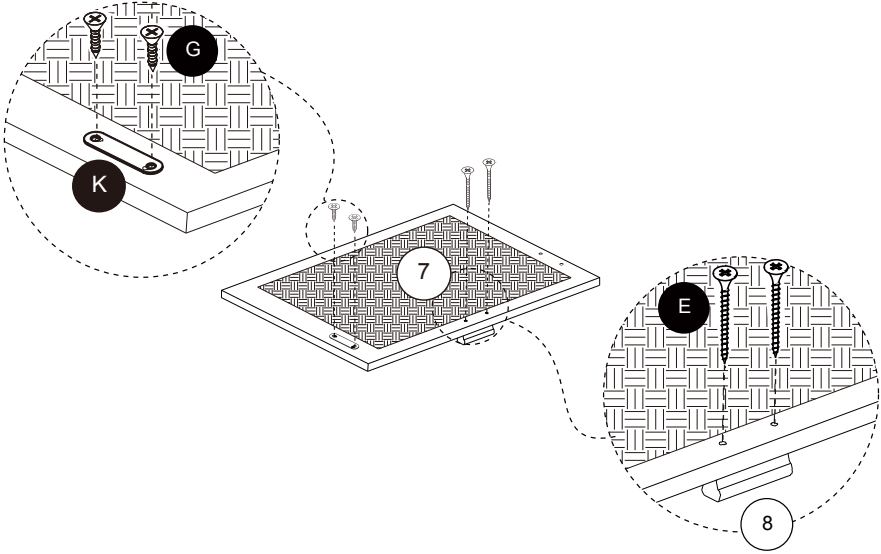
OPTION 2



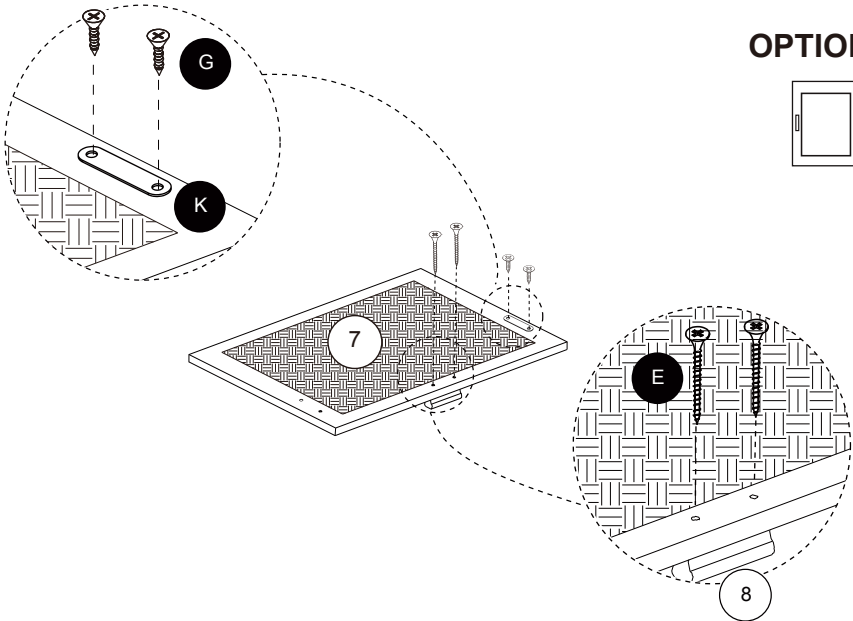
1

E x2
G x2
K x1

OPTION 1



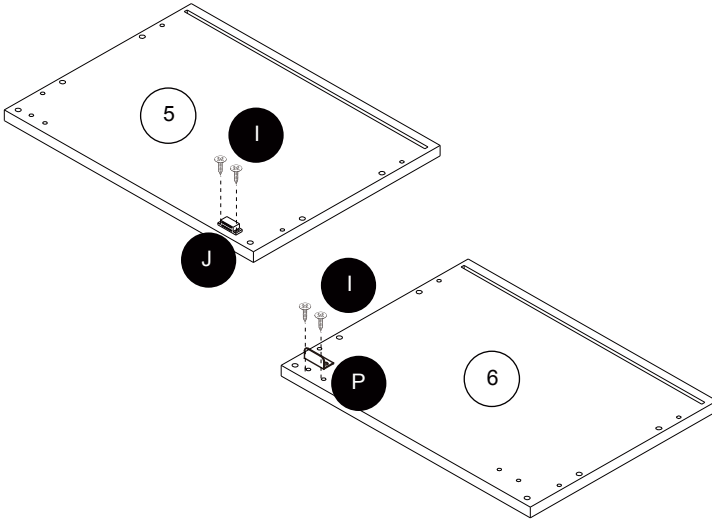
OPTION 2



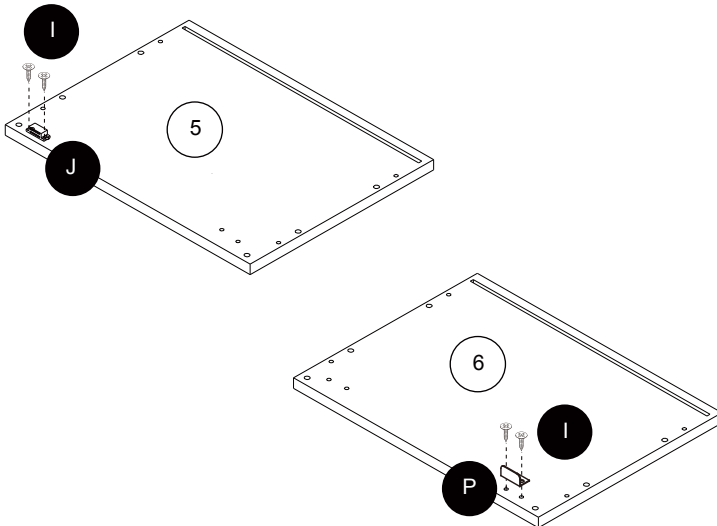
2

I x4
J x1
P x1

OPTION 1

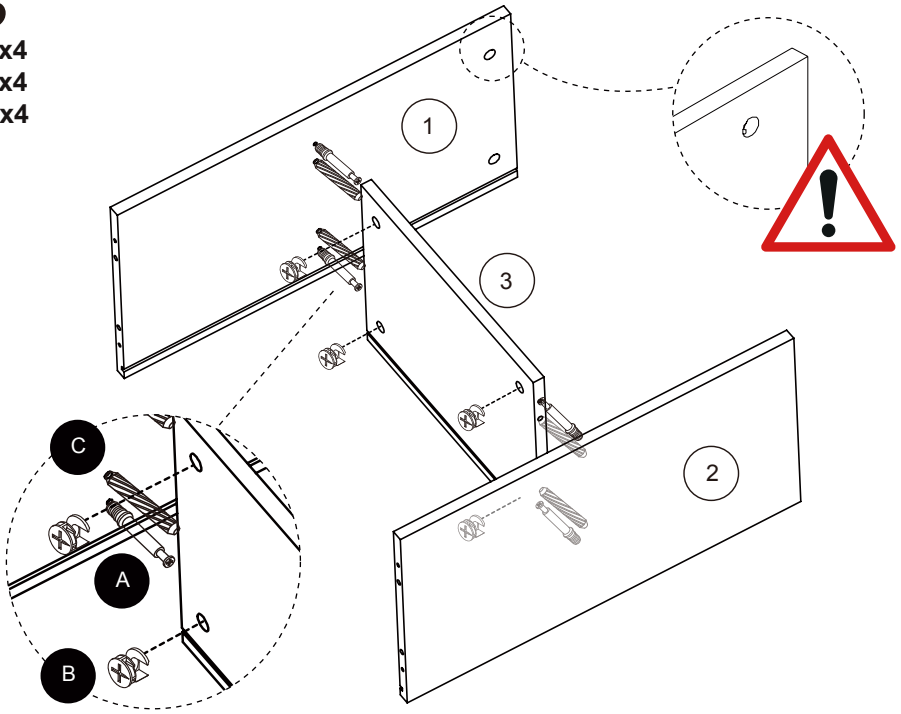


OPTION 2

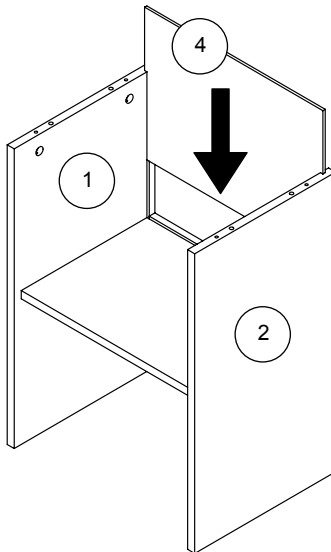
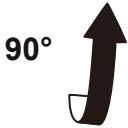


3

- A x4
- B x4
- C x4

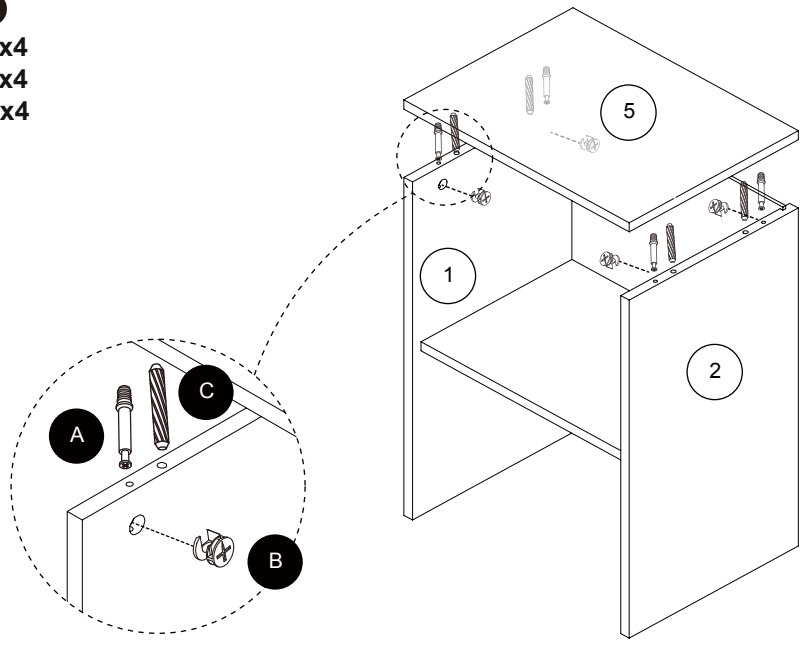


4

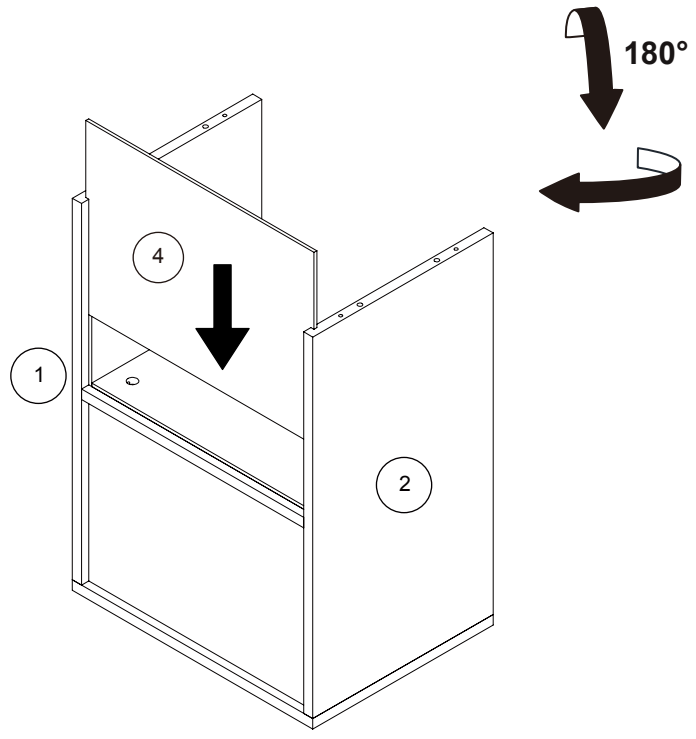


5

- A x4
- B x4
- C x4



6



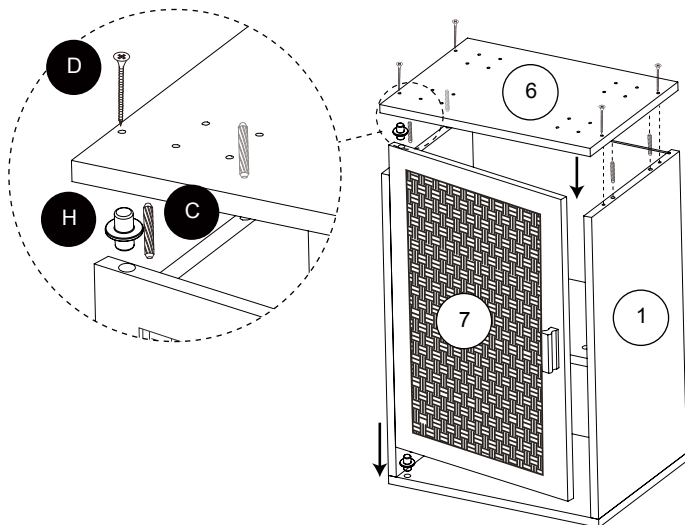
7

C x4

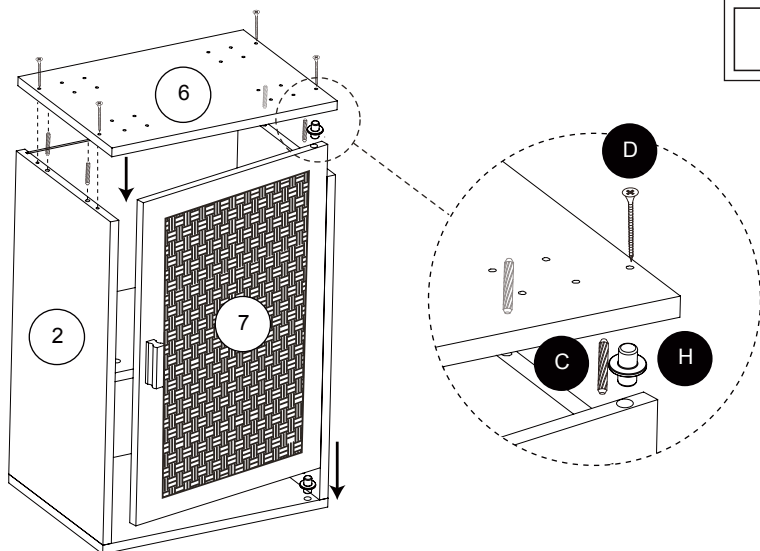
D x4

H x2

OPTION 1

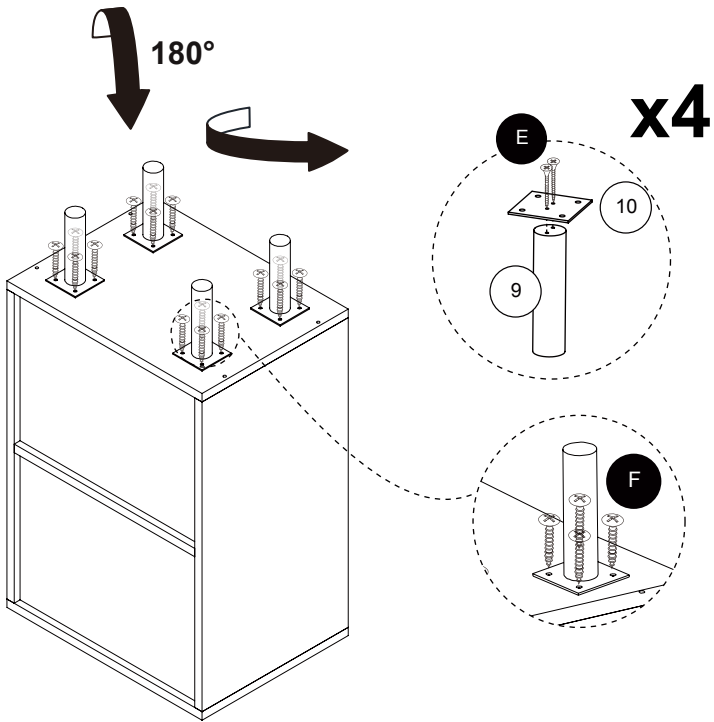


OPTION 2



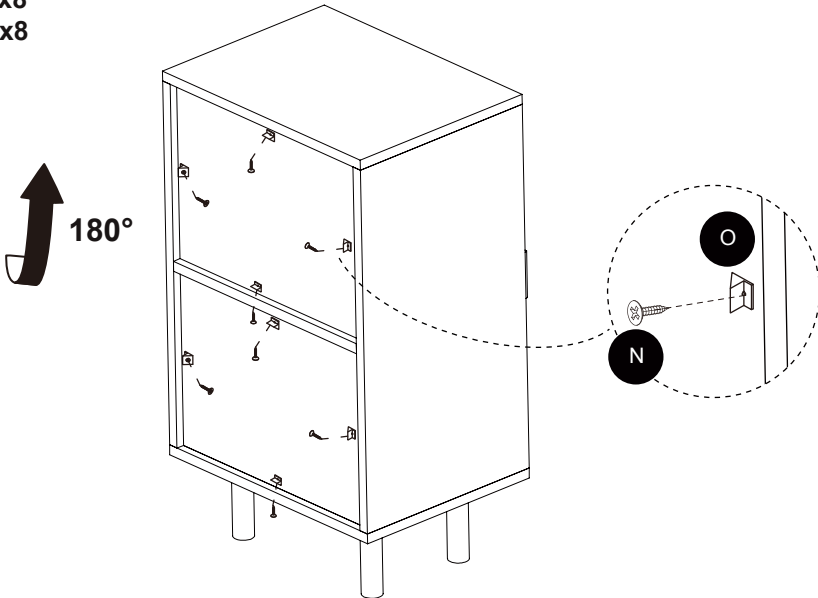
8

E x8
F x16



9

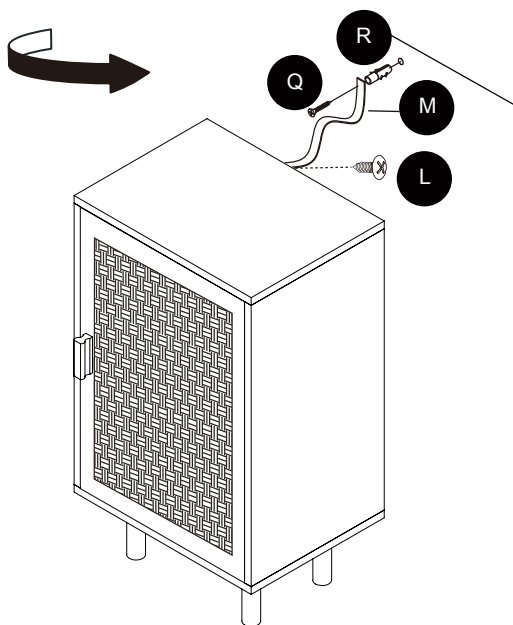
N x8
O x8



10

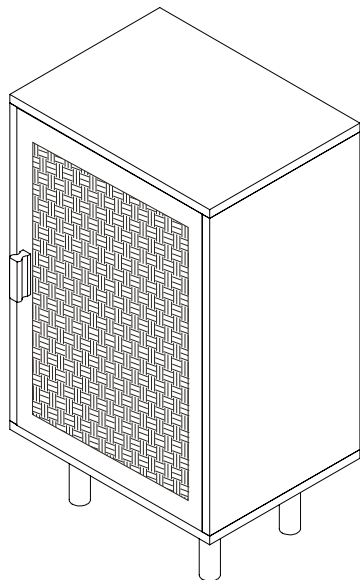
L x1

M x1



11

OPTION 1



OPTION 2

